

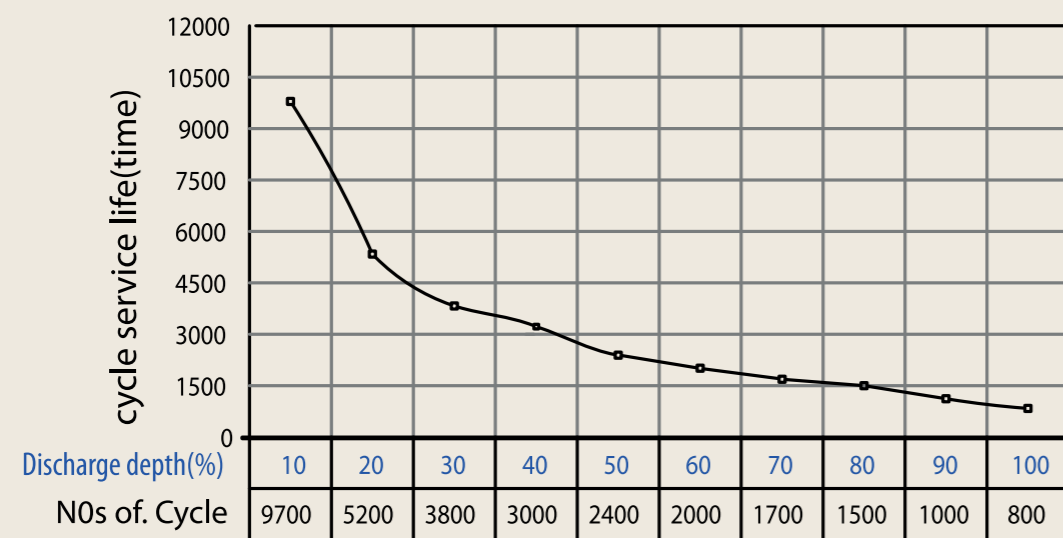
# Vented Tubular Stationery OPzS Battery

Model	Voltage	10HR Capacity (Ah) FV. 1.80V	Dimension (mm)				Weight (Kg)	
			L	W	H	TH	Dry	Wet
4-OPzS-200	2	200	103	206	354	399	12	16.20
5-OPzS-250		250	124	206	354	399	15	19.60
6-OPzS-300		300	145	206	354	399	18	23.10
5-OPzS-350		350	124	206	470	512	20	27.5
6-OPzS-420		420	145	206	470	512	23	31.0
7-OPzS-490		490	166	206	470	512	26	34.70
6-OPzS-600		600	145	206	645	688	30	41.0
8-OPzS-800		800	191	210	645	688	41	57.0
10-OPzS-1000		1000	233	210	645	688	52	71.10
12-OPzS-1200		1200	275	210	645	688	62	84.20
12-OPzS-1500		1500	275	210	795	838	74	101.30
16-OPzS-2000		2000	399	214	771	813	96	141
20-OPzS-2500		2500	487	212	771	847	122	174
24-OPzS-3000		3000	576	212	771	813	144	207

# Vented Tubular Stationery OPzS Battery

**UKB Co.,Ltd.**  
Unikor Battery co., Ltd.

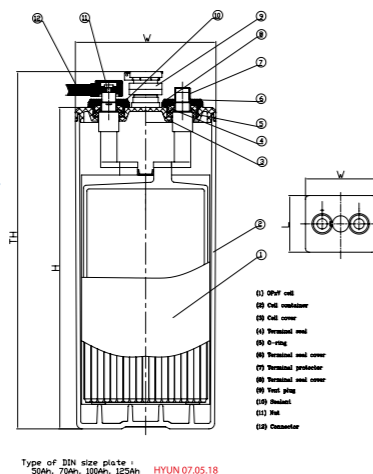
Relation curve between discharge depth and cycle service life



This battery is tubular type in which the active material is packed into parallel microporous tubes containing a central lead-antimony alloy spine. This construction gives high active material efficiency and long cycle life.

## APPLICATION

- TELECOM STATION
- WIND & SOLAR POWER STATION
- POWER STATION, SUB STATION, NUCLEAR POWER PLANT
- LIGHTHOUSE, RAILWAY STATION



Type of SDH size plate: 50Ah, 70Ah, 100Ah, 125Ah HYUN 07.05.18

